

# DZR BRASS GATE VALVE

BS5154 20 BAR RATED

SIZE RANGE 15mm-50mm

BSP Ends

Suitable for isolating duties in Water, Liquids, Air and Gases in Bulk Handling processes, Sewerage and Water Treatment, Pulp & Paper, Power Generation, HVAC, Mining and other General Industries.



## FEATURES

- Dezincification resistant
- Conforms to BS5154
- PTFE gland packing
- Handwheel aluminium alloy
- Conforms to ISO 9000 requirements

## OPTIONS

- Fig. 70BS (brass version) 8mm -100mm

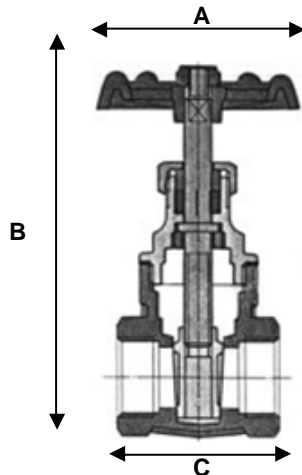


Fig. 70BSCR



COMPONENT	MATERIAL
BODY	DZR BRASS
STEM	DZR BRASS
GLAND PACKING	P.T.F.E.
BONNET	DZR BRASS
HANDWHEEL	ALUMINIUM ALLOY
BODY FINISH	SHOT BLAST

## DIMENSIONS

SIZE mm	15	20	25	32	40	50
A	55	60	65	75	80	90
B	80.0	97.0	108.0	121.5	142.0	165.5
C	54	59	66	74	75	86
MAX kPa @ 100°C	2,000	2,000	2,000	2,000	2,000	2,000
BORE $\varnothing$	15	19	26	32	39	50
CV	11.7	42.0	71.2	105.1	220.6	322.1

Data Sheet No.GA-70BSCR-Rev01

For installation, operation and maintenance refer to I.O.M.

Details subject to change

**Global Valves and Engineering Pty Ltd**

*"your partner for the future"*

Tel: (02) 9868 5055 Fax: (02) 9868 5063 Email: sales@globalvalves.com.au Website: www.globalvalves.com.au