

STAINLESS STEEL MONO CHECK

WAFER PATTERN CLASS 150

SIZE RANGE 50mm-900mm

Table 'E'

Suitable for isolating and regulating duties in Water, Liquids, Air, Gases, Bulk Handling processes in Sewerage and Water Treatment, Pulp & Paper, Power Generation, HVAC, Mining and other General Industries



FEATURES

- Max working temperature rating 230 Deg C
- Wafer pattern
- Spring loaded
- Stainless steel flap
- Minimises water hammer

OPTIONS

- Backflush lever, counter weight
- Open/shut indicator, microswitch
- Emergency shut down actuation
- Available in cast iron, cast steel
- Alternative disc/trim

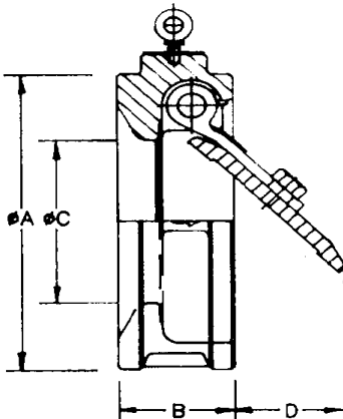


Fig. 15E-2301



COMPONENT MATERIAL

COMPONENT	MATERIAL
BODY	STAINLESS STEEL- CF8M
DISC	STAINLESS STEEL - 316
ARM	STAINLESS STEEL - 316
PIN	STAINLESS STEEL - 316
SEAL	STAINLESS STEEL - CF8M
SPRING	INCONEL

DIMENSIONS

SIZE mm	50	65	80	100	125	150	200	250	300	350	400	450	500	600
A	98	111	130	162	194	216	273	337	384	448	498	562	619	727
B	44	48	51	57	63	70	73	79	86	108	108	108	140	152
C	33	43	52	76	95	121	163	194	241	267	318	356	387	483
D	29	30	56	75	95	114	156	188	222	229	248	299	324	387
CV	56	109	166	318	471	720	1,384	2,298	4,153	4,984	8,307	11,906	16,069	22,705
WT. KG	2.0	2.4	3.2	5.0	7.3	8.2	13.2	22.2	30.6	75.0	91.0	100.0	154.0	250.0

Data Sheet No. CF-15E-2301-Rev01

For installation, operation and maintenance refer to I.O.M.

Details subject to change

Global Valves and Engineering Pty Ltd

"your partner for the future"

Tel: (02) 9868 5055 Fax: (02) 9868 5063 Email: sales@globalvalves.com.au Website: www.globalvalves.com.au