

CAST IRON MONO CHECK
WAFER PATTERN CLASS 150
SIZE RANGE 50mm-900mm Table E & AS 2129

Suitable for isolating and regulating duties in Water, Liquids, Air, Gases, Bulk Handling processes in Sewerage and Water Treatment, Pulp & Paper, Power Generation, HVAC, Mining and other General Industries



FEATURES

- Max working temperature rating 230 Deg C
- Wafer pattern
- Spring loaded
- Stainless steel flap
- Minimises water hammer

OPTIONS

- Backflush lever, counter weight
- Open/shut indicator, microswitch
- Emergency shut down actuation
- Available in cast iron, cast steel
- Alternative disc/trim

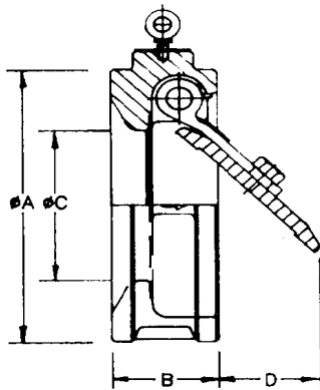


Fig. 15E-1301



COMPONENT	MATERIAL
BODY	CAST IRON
DISC	STAINLESS STEEL - 316
ARM	STAINLESS STEEL - 316
PIN	STAINLESS STEEL - 316
SEAL	STAINLESS STEEL - CF8M
SPRING	INCONEL

DIMENSIONS

SIZE mm	50	65	80	100	125	150	200	250	300	350	400	450	500	600
A	98	111	130	162	194	216	273	337	384	448	498	562	619	727
B	44	48	51	57	63	70	73	79	86	108	108	108	140	152
C	33	43	52	76	95	121	163	194	241	267	318	356	387	483
D	29	30	56	75	95	114	156	188	222	229	248	299	324	387
CV	56	109	166	318	471	720	1,384	2,298	4,153	4,984	8,307	11,906	16,069	22,705
WT. KG	2	2.4	3.2	5	7.3	8.2	13.2	22.2	30.6	75	91	100	154	250

Data Sheet No. CF-15E-1301-Rev01

For installation, operation and maintenance refer to I.O.M.

Details subject to change

Global Valves and Engineering Pty Ltd

"your partner for the future"

Tel: (02) 9868 5055 Fax: (02) 9868 5063 Email: sales@globalvalves.com.au Website: www.globalvalves.com.au