

# STAINLESS BALL VALVE

FULL BORE

SIZE RANGE 15mm-300mm

ANSI 150

Suitable for isolating duties on cold and hot water, compressed air in Domestic and Commercial Plumbing and HVAC. Water and chemical applications in Water Treatment, Mining, Power Generation, Chemicals Industries and other General Industries



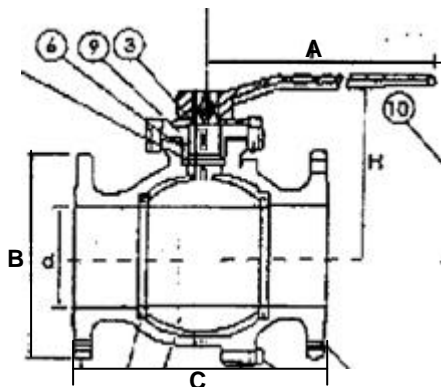
## FEATURES

- Two piece flanged ball valve
- Anti-static device
- Blow-out proof stem
- Lever operated
- Face to face ANSI B16.10
- Full port, solid ball

## OPTIONS

- Fig. ASTM-A351-CF8 body (304 S/S)
- Fig. ASTM-A216-WCB body (Cast steel)

Fig. V2-F150



COMPONENT	MATERIAL
BODY	ASTM-A351-CF8M
BALL	ASTM-A351-CF8M
SEATS & STEM SEALS	TEFLON
STEM	AISI 316
LEVER	FC-20
BODY FINISH	PAINTED

## DIMENSIONS

SIZE mm	15	20	25	32	40	50	65	80	100	125	150	200	250	300
A	114	114	140	146	229	229	340	340	340	380	510	720	1000	1000
B	89	99	108	117	127	152	178	190	229	254	279	343	406	483
C	108	117	127	140	165	178	190	203	230	356	394	457	533	620
MAX kPa @ 40°C	1,950	1,950	1,950	1,950	1,950	1,950	1,950	1,950	1,950	1,950	1,950	1,950	1,950	1,950
BORE $\phi$	15	20	25	32	40	50	65	80	100	125	150	200	250	300
WT. KG	2.5	3	4.5	5.7	7	10	14	18	26	38	57	93	147	200

Data Sheet No. BL-V2-F150-Rev01

For installation, operation and maintenance refer to I.O.M.

Details subject to change

**Global Valves and Engineering Pty Ltd**

*"your partner for the future"*

Tel: (02) 9868 5055 Fax: (02) 9868 5063 Email: sales@globalvalves.com.au Website: www.globalvalves.com.au