

STAINLESS STEEL BALL VALVE

3-PIECE FULL BORE

SIZE RANGE 8mm-100mm

BSP Ends

Suitable for Isolating duties in General Industrial Applications, Oil Pipelines, Hot Water Services, Condensate Lines, Water Treatment, HVAC, Mining, W.W.T.P. Applications, Gauge and Instrument Isolation



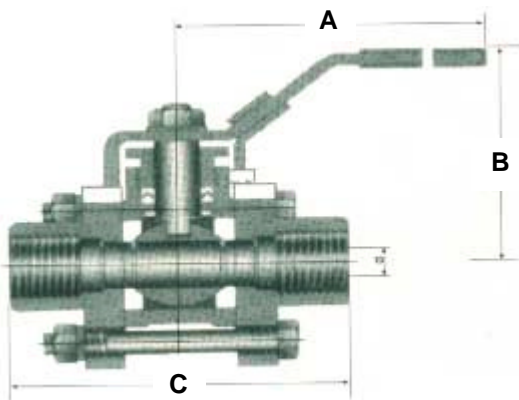
FEATURES

- Drip tight shut off
- PVC lever grip
- Locking device (not shown)
- Compact, three piece design
- ISO 9001 approved manufacturer

OPTIONS

- Fig. GVE-V2 (1-piece full bore, locking device)
- Fig. GVE-V3 (3-piece full bore, locking device)
- Fig. GVE-V3-NPT (end screwed NPT)
- Fig. GVE-V3-SW/NPT (socket weld x NPT ends)
- Fig. GVE-V3-SW (socket weld both ends)

Fig. GVE-V3



COMPONENT	MATERIAL
BODY	CF8M-STAINLESS STEEL
BALL	SS316
SEAT	P.T.F.E.
STEM	SS316
LEVER	SS304

DIMENSIONS

SIZE mm	8	10	15	20	25	32	40	50	65	80	100
A	96	96	124	124	142	142	202	202	250	250	300
B	57	57	68	70	80	84	93	100	142	155	172
C	68	68	72	83	90	112	120	147	174	193	216
MAX kPa @50°C SIZES 65 ABOVE @ 38°C	6,900	6,900	6,900	6,900	6,900	6,900	6,900	6,900	5,500	5,500	5,500
BORE ϕ	12.5	12.5	15	20	25	30	38	50	64	80	98
CV	6.6	7.9	11.2	21	34	57	80	148	265	415	780

Data Sheet BL-GVE-V3-Rev01

For installation, operation and maintenance refer to I.O.M.

Details subject to change

Global Valves and Engineering Pty Ltd

"your partner for the future"

Tel: (02) 9868 5055 Fax: (02) 9868 5063 Email: sales@globalvalves.com.au Website: www.globalvalves.com.au