

STAINLESS STEEL BALL VALVE

2-PIECE FULL BORE

SIZE RANGE 8mm-80mm

BSP Ends

Suitable for Isolating duties in General Industrial Applications, Oil Pipelines, Hot Water Services, Condensate Lines, Water Treatment, HVAC, Mining, W.W.T.P. Applications, Gauge and Instrument Isolation



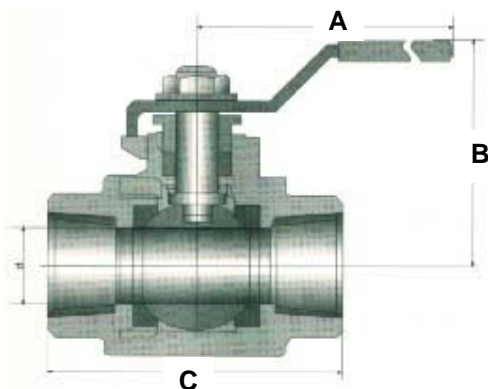
FEATURES

- Drip tight shut off
- PVC lever grip
- Locking device (not shown)
- Compact, two piece design
- ISO 9001 approved manufacturer

OPTIONS

- Fig. GVE-V1 (1-piece reduced bore, locking device)
- Fig. GVE-V3 (3-piece full bore, locking device)
- Fig. GVE-V2-NPT (end screwed NPT)

Fig. GVE-V2



COMPONENT	MATERIAL
BODY	CF8M-STAINLESS STEEL
BALL	SS316
SEAT	P.T.F.E.
STEM	SS316
LEVER	SS304

DIMENSIONS

SIZE mm	8	10	15	20	25	32	40	50	65	80
A	103	103	103	125	145	145	190	190	250	250
B	48	48	50	57	69	73	83	92	136	149
C	55	55	63.5	75	88	103	110	124	167	192
MAX kPa @50°C	6,900	6,900	6,900	6,900	6,900	6,900	6,900	6,900	6,900	6,900
BORE ϕ	11.6	12.7	15	20	25.4	32	38	50.8	65	76
CV	6.6	7.9	11.2	21.0	35.0	57.0	80.0	148.0	265.0	415.0

Data Sheet BL-GVE-V2-Rev02

For installation, operation and maintenance refer to I.O.M.

Details subject to change

Global Valves and Engineering Pty Ltd

"your partner for the future"

Tel: (02) 9868 5055 Fax: (02) 9868 5063 Email: sales@globalvalves.com.au Website: www.globalvalves.com.au