

TLV[®]

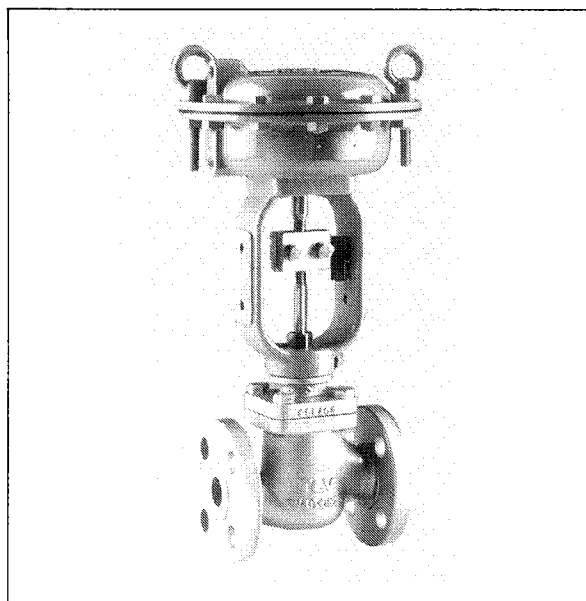
PNEUMATIC CONTROL VALVE

MODEL CV16

Features

Pneumatic control valve in two port form for steam, gases and liquids.

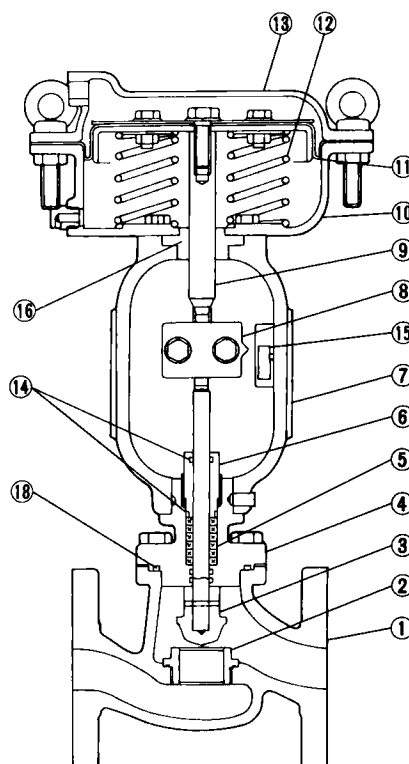
1. Compact construction.
2. Valve seat and plug made of highly abrasion resistant stainless steel.
3. Low leak rate and stable flow characteristics.
4. Parabolic plug for linear, or equal percentage flow control.
5. Diaphragm actuator available for either fail-open or fail-close actuation.*
6. Precision spindle guide with maintenance-free U-ring sealing and stuffing box packing.
7. Assembly of positioners, controllers and accessories according to DIN/IEC 534 and NAMUR.
8. Maintenance-free double U-ring yoke sealing (fail-close type).



Specifications

Model	CV16			
Connection	Flanged			
Size (mm)	15 - 50			
Max. Operating Pressure (kg/cm ²)	16			
Max. Operating Temperature (°C)	200			
Leak Rate	< 0.01% of Cv			
Positioning Ratio	50 : 1			
Control Air Pressure (fail-close type)	Size	15 - 25	32, 40	50
	kg/cm ²	3 - 7	4 - 7	4.7 - 7
Control Air Pressure (fail-open type)	Size	15 - 50		
	kg/cm ²	4 - 7		
Air Connection	1/4" PT			

No.	Description	Material	JIS	ASTM/AISI***
①	Body	Cast Iron	FC25	A126 CL. B
②	Valve Seat	Stainless Steel	SUS304	AISI304
③	Valve Plug	Stainless Steel	SUS304	AISI304
④	Bonnet	Cast Iron	FC25	A126 CL. B
⑤	Stem Packing	Graphite/Aluminum	-	-
⑥	Stem Guide	Stainless Steel	SUS303	AISI303
⑦	Yoke	Cast Iron	FC25	A126 CL. B
⑧	Stem Connector	Cast Iron	FCV42	A482 Gr. 400
⑨	Stem	Stainless Steel	SUS303	AISI303
⑩	Lower Diaphragm Case	Cast Aluminum	AC4C	SG70A
⑪	Diaphragm	Nitrile Rubber	-	D2000 BF
⑫	Coil Spring	Spring Steel	SWO-B	A229 CL. 1
⑬	Upper Diaphragm Case	Cast Aluminum	AC4C	SG70A
⑭	U-Ring Seal	FPM	-	-
⑮	Stroke Indicator	Stainless Steel	SUS304	AISI304
⑯	Upper Stem Guide	Brass	BSBM	B16 C3600
⑰	Stem U-Ring Seal**	FPM	-	-
⑱	Bonnet Gasket	PTFE	-	-



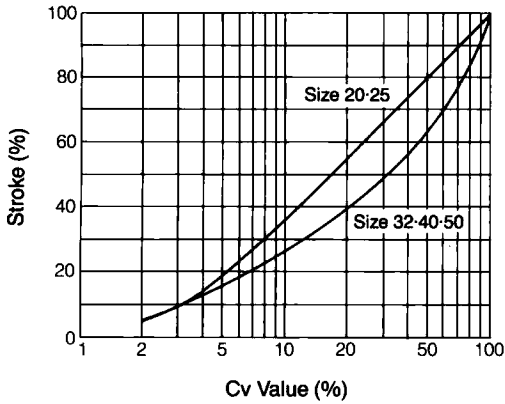
*Pictures show fail-open type. **For fail-close type, not shown. ***Equivalent.

Flow Characteristics

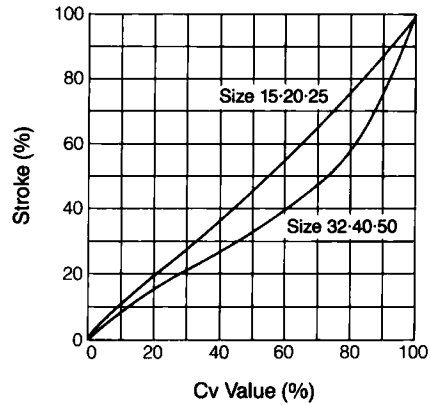
● **Cv Values**

Size (mm)	15	20	25	32	40	50
Cv Value	6	10	14	20	30	50
Stroke (mm)	15	15	15	25	25	25

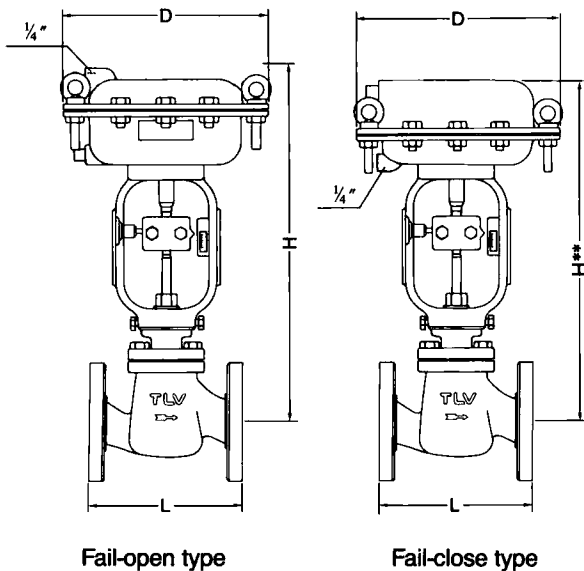
● **Equal Percentage**



● **Linear**



Dimensions



● **CV16 Flanged***

Size (mm)	L	H	H**	D	Weight (kg)
15	130	380	365	215	13
20	150				14
25	160				15
32	180	395	400		18
40	200				19
50	230				23

*JIS 10, 16, 20K. Other standards available.
 **Fail-close type.

Manufacturer

ISO 9001/ISO 14001

TLV® CO., LTD.
 Kakogawa, Japan

is approved by LRQA Ltd. to ISO 9001/14001

