



THERMODYNE STEAM TRAP

MODEL P21S

COMPACT THERMODYNAMIC DISC TRAP

Features

Stainless steel and compact for tracing, instrumentation and steam mains.

1. Hardened working surfaces for long life.
2. Lapped disc provides steam-tight seal.
3. Air-jacketing reduces cycling and extends life.
4. Built-in screen for extended trouble-free service.
5. Small connections for ease of installation.



Specifications

Model	P21S	
Connection	Screwed	
Size (mm)	8, 10, 15	
Maximum Operating Pressure (MPaG)	PMO	2.1
Minimum Operating Pressure (MPaG)	Horizontally installed: 0.025	Vertically installed: 0.04
Maximum Operating Temperature (°C)	TMO	425
Maximum Back Pressure	80% of Inlet Pressure	

PRESSURE SHELL DESIGN CONDITIONS (**NOT** OPERATING CONDITIONS):

Maximum Allowable Pressure (MPaG) PMA: 4.2

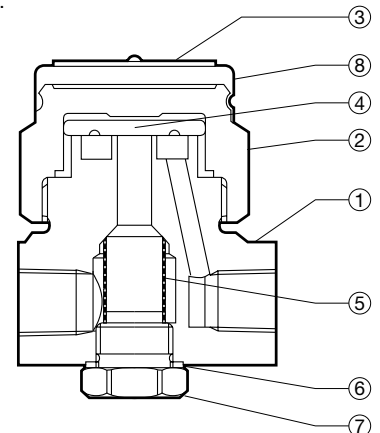
Maximum Allowable Temperature (°C) TMA: 425

1 MPa = 10.197 kg/cm²



To avoid abnormal operation, accidents or serious injury, DO NOT use this product outside of the specification range. Local regulations may restrict the use of this product to below the conditions quoted.

No.	Description	Material	JIS	ASTM/AISI*
①	Body (8, 10)	Stainless Steel	SUS420J2	AISI420
	Body (15)	Stainless Steel	SCS2A	A217 Gr. CA15
② ^R	Cover	Stainless Steel	SUS420F2	AISI420F2
③ ^R	Nameplate	Stainless Steel	SUS304	AISI304
④ ^R	Disc	Hardened Stainless Steel	SUS420J2	AISI420
⑤ ^R	Screen	Stainless Steel	SUS430	AISI430
⑥ ^{MR}	Screen Holder Gasket (8, 10)	Stainless Steel	SUS316L	AISI316L
	Screen Holder Gasket (15)	Soft Iron	SUYP	AISI1010
⑦	Screen Holder (8,10)	Stainless Steel	SUS303	AISI303
	Screen Holder (15)	Carbon Steel	S25C	AISI1025
⑧ ^R	Cap	Stainless Steel	SUS304	AISI304

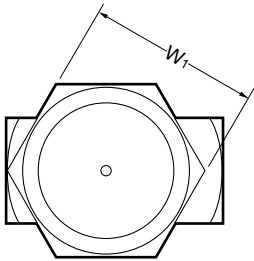
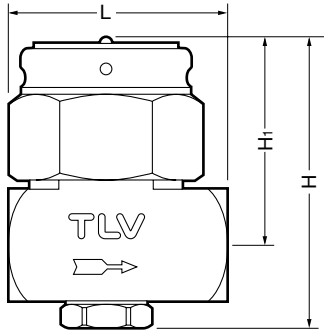


* Equivalent

Replacement kits available: (M) maintenance parts, (R) repair parts

Dimensions

● **P21S**
Screwed

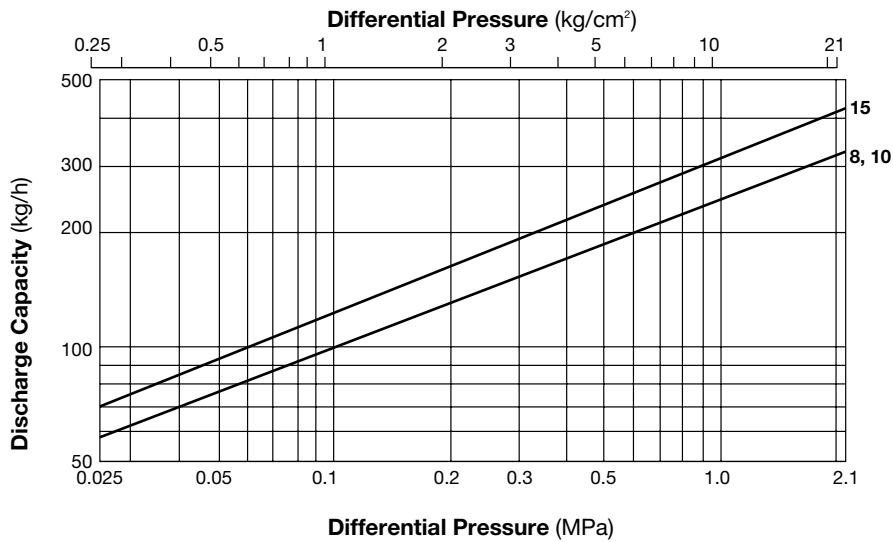


P21S Screwed* (mm)

Size	L	H	H ₁	W ₁	Weight (kg)
8	48	63	46	38	0.33
10					0.42
15	50	65			

* Rc(PT), other standards available

Discharge Capacity



1. Differential pressure is the difference between the inlet and outlet pressure of the trap.
2. Recommended safety factor: at least 2.

Manufacturer

TLV® CO., LTD.
Kakogawa, Japan

is approved by LRQA Ltd. to ISO 9001/14001

ISO 9001/ISO 14001

