



BALANCED PRESSURE THERMOSTATIC STEAM TRAP

MODEL LV21

Features

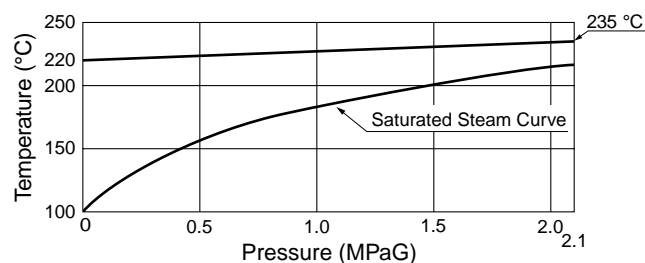
All stainless steel thermostatic trap suitable for applications where the condensate load is relatively small, e.g. tracing, vessels and heaters. Preferably for vertical installation.

1. "Fail open" feature.
2. Rugged yet light construction withstands superheat and water hammer.
3. Cyclic operation with fixed subcooling throughout entire pressure range.
4. Outstanding air venting capability.
5. Compact, yet high capacity.
6. Easy to maintain and easy to clean.
7. Hardened stainless steel valve surfaces.
8. Built-in screen with large surface area.



Specifications

Model	LV21
Connection	Screwed
Size (mm)	8, 10, 15
Max. Operating Press. (MPaG) PMO	2.1
Min. Operating Press. (MPaG)	0.01
Maximum Back Pressure	90% of Inlet Pressure
Max. Operating Temp. (°C) TMO	see graph at right
Subcooling of Capsule Fill (°C)	up to 6 (option: up to 22)
Type of X-element	B (option: T)



1 MPa = 10.197 kg/cm²

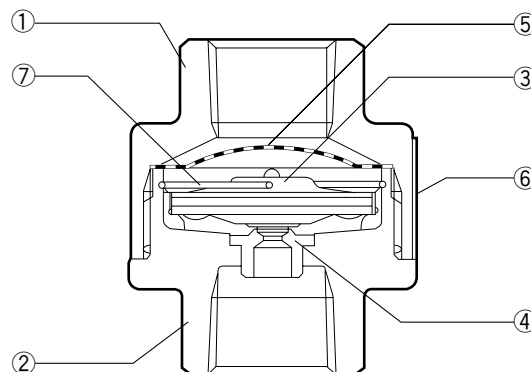
PRESSURE SHELL DESIGN CONDITIONS (**NOT** OPERATING CONDITIONS): Maximum Allowable Pressure (MPaG) PMA: 6.3
Maximum Allowable Temperature (°C) TMA: 425



To avoid abnormal operation, accidents or serious injury, **DO NOT** use this product outside of the specification range. Local regulations may restrict the use of this product to below the conditions quoted.

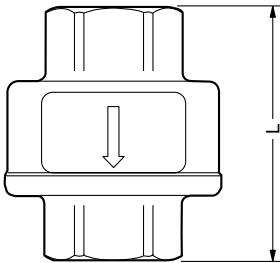
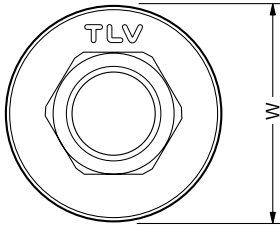
No.	Description	Material	JIS	ASTM/AISI*
①	Body	Cast Stainless Steel	SCS13A	A351 CF-8
②	Cover	Cast Stainless Steel	SCS13A	A351 CF-8
③	X-element	Stainless Steel	—	—
④	Valve Seat	Stainless Steel	SUS630	AISI630
⑤	Screen	Stainless Steel	SUS304	AISI304
⑥	Nameplate	Stainless Steel	SUS304	AISI304
⑦	Spring Clip	Stainless Steel	SUS304	AISI304

* Equivalent



Dimensions

● **LV21** Screwed

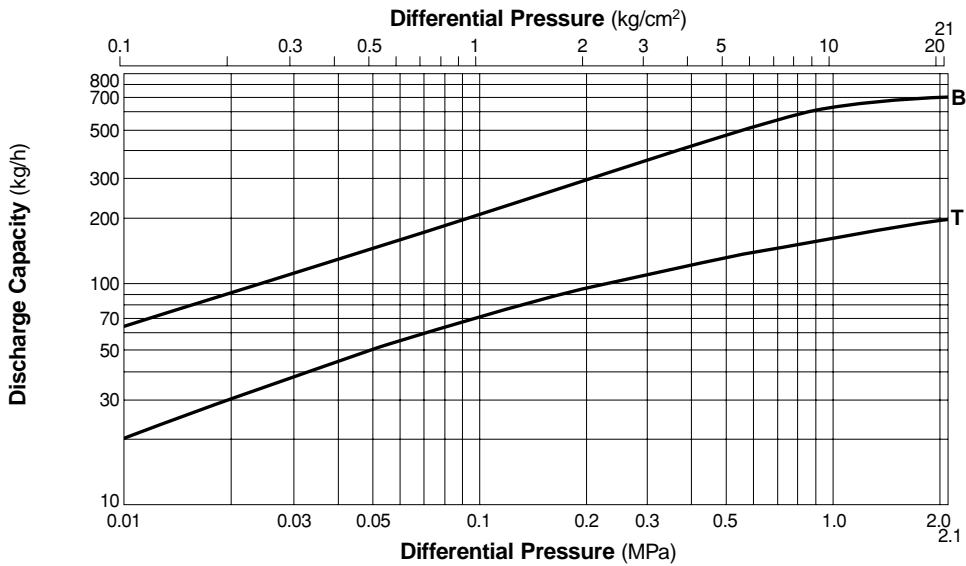


LV21 Screwed* (mm)

Size	L	φ W	Weight (kg)
8	55	47	0.4
10			
15			

* Rc (PT), other standards available

Discharge Capacity



1. Differential pressure is the difference between the inlet and outlet pressures of the trap.
2. Recommended safety factor: at least 2.

Manufacturer

ISO 9001/ISO 14001

TLV® CO., LTD.
Kakogawa, Japan

is approved by LRQA Ltd. to ISO 9001/14001

