



FREE FLOAT STEAM TRAP

MODEL JH7.2X

FREE FLOAT STEAM TRAP WITH THERMOSTATIC AIR VENTING

Features

A reliable and durable cast steel free float steam trap with tight shut-off for use on medium size process equipment.

1. Self-modulating free float provides continuous, smooth, low velocity condensate discharge as process loads vary.
2. Constant water seal design ensures steam-tight seal, even under low-load conditions.
3. Only one moving part, the free float, eliminates concentrated valve wear and provides long maintenance-free service life.
4. Thermostatic capsule with fail-open feature vents air automatically until close-to-steam temperature, for rapid start-up, increased productivity and even heating.
5. Easy, inline access to internal parts simplifies cleaning and reduces maintenance costs.
6. Built-in screen with large surface area ensures trouble-free operation.



Specifications

Model	JHW7.2X	JH7.2X
Connection	Socket Welded	Flanged
Size (mm)	40, 50	
Orifice No.	0.5, 1, 2, 5, 10, 14, 22, 32	
Maximum Operating Pressure (MPaG) PMO	0.05, 0.1, 0.2, 0.5, 1.0, 1.4, 2.2, 3.2	
Maximum Differential Pressure (MPa) ΔPMX	0.05, 0.1, 0.2, 0.5, 1.0, 1.4, 2.2, 3.2	
Minimum Operating Pressure (MPaG)	0.01	
Maximum Operating Temperature (°C) TMO	240	
Subcooling of X-element Fill (°C)	up to 6	
Type of X-element	B	

PRESSURE SHELL DESIGN CONDITIONS

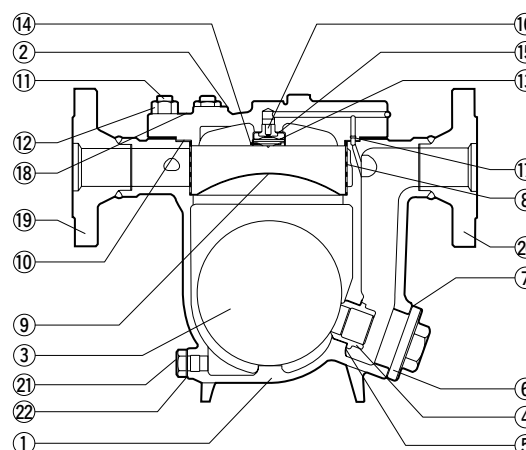
(NOT OPERATING CONDITIONS): Maximum Allowable Pressure (MPaG) PMA: 4.0
Maximum Allowable Temperature (°C) TMA: 425

1 MPa = 10.197 kg/cm²



To avoid abnormal operation, accidents or serious injury, DO NOT use this product outside of the specification range. Local regulations may restrict the use of this product to below the conditions quoted.

No.	Description	Material	JIS	ASTM/AISI*
①	Body	Cast Steel	SCPH2	A216 Gr. WCB
②	Cover	Forged Steel	—	A105
③	Float	Stainless Steel	SUS316L	AISI316L
④	Orifice	Stainless Steel	SCS2A	A217 Gr. CA15
⑤	Orifice Gasket	Soft Iron	SUYP	AISI1010
⑥	Orifice Plug	Stainless Steel	SCS13A	A351 Gr. CF8
⑦	Orifice Plug Gasket	Soft Iron	SUYP	AISI1010
⑧	Screen outside/inside	Stainless Steel	SUS304/430	AISI304/430
⑨	Screen Holder	Stainless Steel	SUS304	AISI304
⑩	Cover Gasket	Stainl. St./Graphite	SUS316L	AISI316L
⑪	Cover Bolt	Alloy Steel	SNB16	A193 Gr. B16
⑫	Cover Nut	Alloy Steel	S45C	AISI1045
⑬	X-element	Stainless Steel	—	—
⑭	Spring Clip	Stainless Steel	SUS304	AISI304
⑮	X-element Guide	Stainless Steel	SUS304	AISI304
⑯	Air Vent Valve Seat	Stainless Steel	SUS420F	AISI420F
⑰	Connector	Stainless Steel	SUS416	AISI416
⑱	Nameplate	Stainless Steel	SUS304	AISI304
⑲	Flange	Cast Steel	—	A216 Gr. WCB
⑳	Socket**	Carbon Steel	—	A105
㉑	Drain Plug	Carbon Steel	S25C	AISI1025
㉒	Plug Gasket	Soft Iron	SUYP	AISI1010

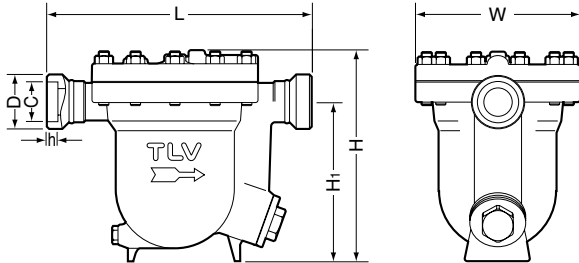


Copyright © TLV

* Equivalent ** Shown on reverse

Dimensions

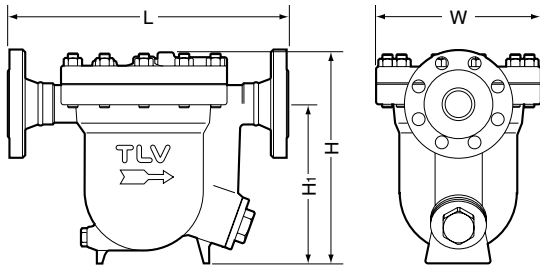
● **JHW7.2X** Socket Welded



JHW7.2X Socket Welded (mm)

Size	φD	φC	h	L	H	H ₁	φW	Weight (kg)
40	64	49.1	13	401	320	244	250	35
50	77.5	61.1	16					38

● **JH7.2X** Flanged

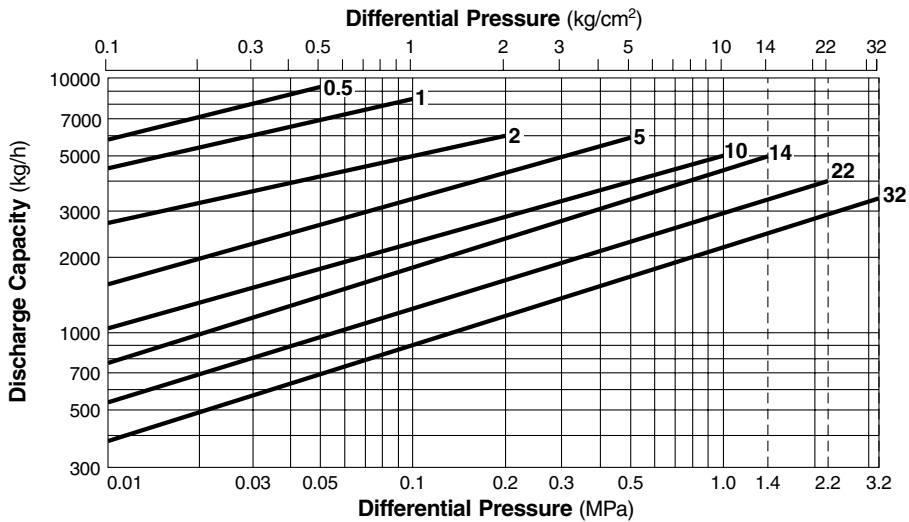


JH7.2X Flanged* (mm)

Size	L	H	H ₁	φW	Weight (kg)
40	419	320	244	250	38
50	423				41

* JIS40K RF, other standards available

Discharge Capacity



1. Line numbers within the graph refer to orifice numbers.
2. Differential pressure is the difference between the inlet and outlet pressure of the trap.
3. Capacities are based on continuous discharge of condensate 6 °C below saturated steam temperature.
4. Recommended safety factor: at least 1.5.



CAUTION DO NOT use traps under conditions that exceed maximum differential pressure, as condensate backup will occur!

Manufacturer

ISO 9001/ISO 14001

TLV® CO., LTD.
Kakogawa, Japan

is approved by LRQA Ltd. to ISO 9001/14001

